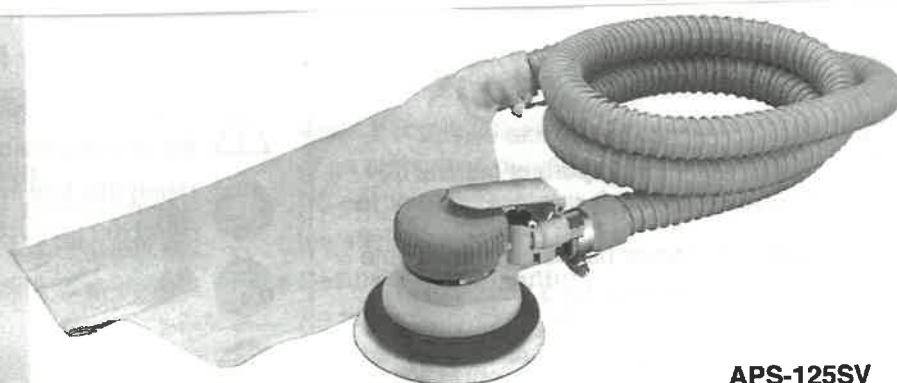


Splittegning til Pneumatic (Trykluft) Orbital Sander

Model APS-125, APS-125SV, APS-125CV.
og
Model APS-150, APS-150SV, APS-150CV.



APS-125SV

Specifications

Model		APS-125	APS-150
Maximum Operating Pressure		0.6 MPa	
Air Consumption (No Load)		0.45 m ³ /min	
Rated Speed (No Load)	Non Vacuum Type	10,000 min ⁻¹ (r/min)	10,000 min ⁻¹ (r/min)
	SV Type	11,000 min ⁻¹ (r/min)	11,000 min ⁻¹ (r/min)
	CV Type	10,000 min ⁻¹ (r/min)	10,000 min ⁻¹ (r/min)
Orbit Diameter		O.D.5mm	
Pad Size		O.D.125mm(5")	O.D.150mm(6")
Pad Mass (Weight)		0.1kg	0.12 kg
Sound Pressure Level		77 dB(A)	77 dB(A)
Sound Power Level		88 dB(A)	88 dB(A)
Vibration Level [Uncertainty K]		5.5m/s ² [2.3m/s ²]	7.4m/s ² [2.1m/s ²]
Mass (Weight)	Non Vacuum Type	0.69 kg	0.72 kg
	SV Type	0.73 kg	0.76 kg
	CV Type	0.71 kg	0.73 kg
Thread Size of Air Inlet		Rc1/4	

Due to continuous product development/improvement the specifications and configurations in this document are subject to change without prior notice.



Manufactured by :

NITTO KOHKI Co., Ltd.

2-9-4, Nakaikegami, Ohta-ku,
Tokyo, 146-8555, Japan

Tel : (81)-3-3755-1111

Fax : (81)-3-3753-8791

E-mail : overseas@nitto-kohki.co.jp

URL : www.nitto-kohki.co.jp

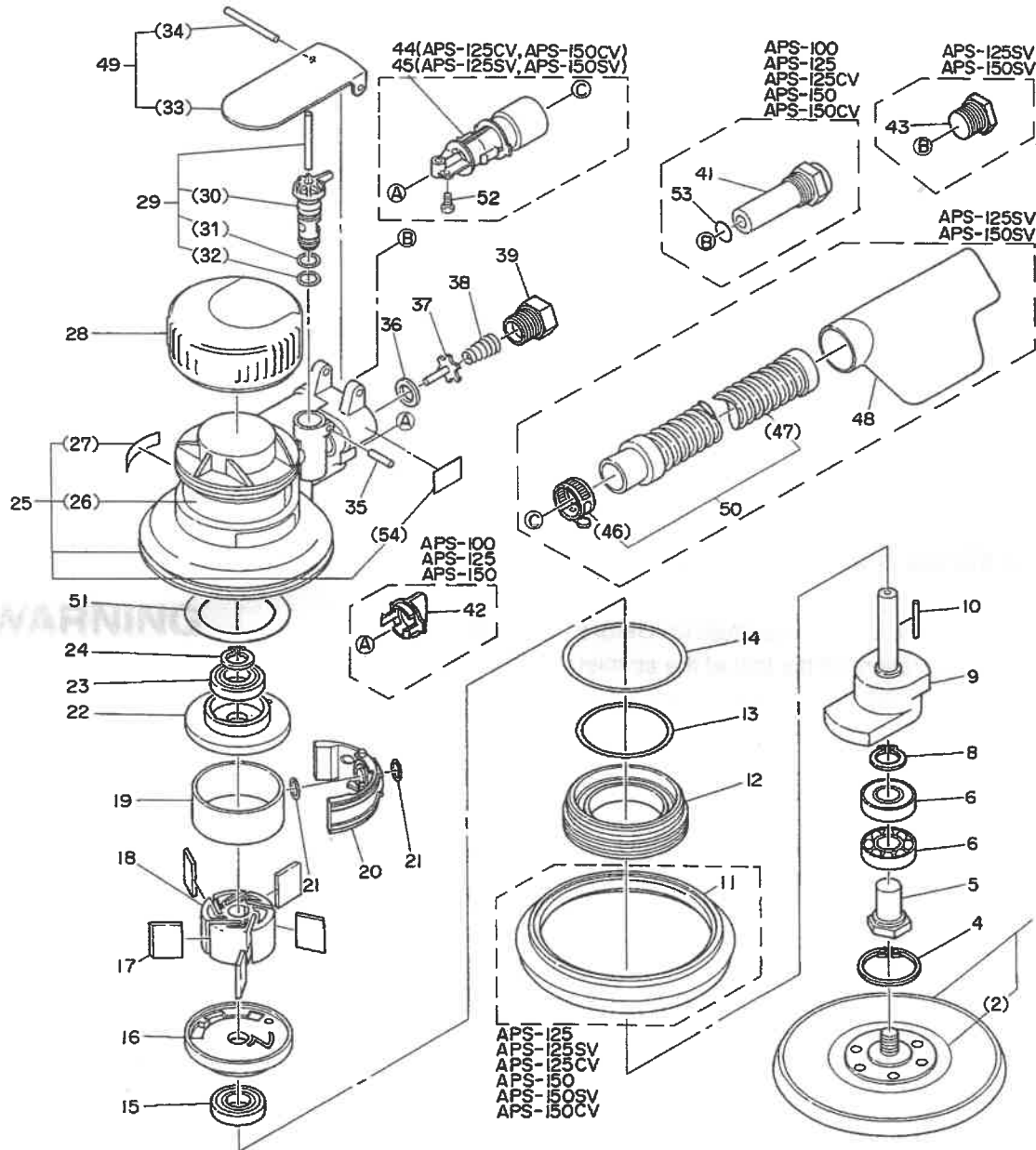
Keep the manual handy – so you can use it whenever necessary.

Original Instructions

10. EXPLODED DIAGRAM : APS-125,APS-125SV,APS-125CV,APS-150,APS-150SV,APS-150CV

⚠ WARNING

This diagram is for your reference only. Do not attempt to service or repair the Tool. Do not take the Tool apart. Contact an authorized Nitto dealer for all service and repair of the Tool. Improper service and repair can cause accidents and service injuries. Never attempt to modify the Tool. Never attempt service or repair the Tool yourself.



The part numbers with () are included in the Ass'y parts written above them.

• APS-125

No.	Part No.	Description	Qty	Price
1	TB03669	Pad 5" V-5H Ass'y	1set	
	TB03801	Pad 5" L-5H Ass'y (NVL5H)		
2	(TQ05090)	Label Caution APS	1	
4	TQ04650	Internal Retaining Ring IRTW-28	1	
5	TQ04648	Spindle	1	
6	TP05650	Ball Bearing 6001D	2	
8	TP03546	External Retaining Ring C-12	1	
9	TQ04647	Counter Shaht 5"	1	
10	CP23473	Needle Roller 3x13.8	1	
11	TQ04669	Cover	1	
12	TQ05817	Lock Ring	1	
13	CQ05893	O-Ring S-44	1	
14	TP03790	O-Ring S-56	1	
15	TQ04657	Ball Bearing 6000LLU	1	
16	TQ04652	End Plate B	1	
17	TB04867	Blade Ass'y (5 pcs.)	1set	
18	TQ06477	Rotor	1	
19	TQ04684	Cylinder	1	
20	TQ04655	Backbone	1	
21	TP12004	O-Ring P-10	2	
22	TQ04651	End Plate A	1	
23	TP01913	Ball Bearing 6000ZZ	1	
24	TQ04656	Bent Retaining Ring BG-10	1	
51	TQ04764	Spacer 52x38x0.5	1	
25	TB08655	Housing Ass'y	1set	
26	(TQ12695)	Label Nitto	1	
27	(TQ12694)	Label Model Number	1	
54	(TQ06276)	Label Lubrication	1	
28	TQ04771	Grip Rubber	1	
29	TB03695	Adjust Valve Ass'y	1set	
30	(TQ04670)	Adjust Valve	1	
31	(CP20531)	O-Ring P-9	1	
32	(TP20521)	O-Ring P-8	1	
49	TB03696	Throttle Lever Ass'y	1set	
33	(TQ04663)	Throttle Lever	1	
34	(TQ04661)	Spring Pin 3x36 AW	1	
35	TP15729	Spring Pin 3x14 AW	1	
36	TQ04671	Seal Sheet 9x13.9x2	1	
37	TQ04664	Valve	1	
38	TQ04665	Conical Spring 0.8x6.4x11.6x21.8	1	
39	TQ04666	Bushing M16xRc1/4	1	
41	TB03593	Muffler Ass'y	1set	
53	TQ05088	O-Ring SS-100	1	
42	TQ04667	Cap	1	

• APS-125SV

No.	Part No.	Description	Qty	Price
25	TB08657	Housing Ass'y	1set	
26	(TQ12695)	Label Nitto	1	
27	(TQ12698)	Label Model Number	1	
54	(TQ06276)	Label Lubrication	1	
43	TQ04685	Stopper M16x11(P1.5)	1	
45	TB03594	Ejector Ass'y	1set	
50	TA99239	Hose Ass'y	1set	
46	(TP05662)	Hose Band	1	
47	(TP14835)	Hose	1	
48	TP14836	Dust Bag	1	
52	LQ02848	P-Tite Screw	1	

• APS-125CV

No.	Part No.	Description	Qty	Price
25	TB08656	Housing Ass'y	1set	
26	(TQ12695)	Label Nitto	1	
27	(TQ12697)	Label Model Number	1	
54	(TQ06276)	Label Lubrication	1	
41	TB03593	Muffler Ass'y	1set	
44	TQ04682	Ejector	1	
52	LQ02848	P-Tite Screw	1	
53	TQ05088	O-Ring SS-100	1	

• ACCESSORIES

No.	Part No.	Description	Qty	Price
	TP00474	Spanner 17	1	
	TP02236	Bushing R 1/4xNPT 1/4	1	
	TQ12696	Instruction Manual	1	
	TQ12714	Declaration of Conformity	1	

• APS-150

No.	Part No.	Description	Qty	Price
1	TB03650	Pad 6" V-6H Ass'y	1set	
2	(TQ05090)	Label Caution APS	1	
4	TQ04650	Internal Retaining Ring IRTW-28	1	
5	TQ04648	Spindle	1	
6	TP05650	Ball Bearing 6001D	2	
8	TP03546	External Retaining Ring C-12	1	
9	TQ04679	Counter Shaht 6"	1	
10	CP23473	Needle Roller 3x13.8	1	
11	TQ04669	Cover	1	
12	TQ05817	Lock Ring	1	
13	CQ05893	O-Ring S-44	1	
14	TP03790	O-Ring S-56	1	
15	TQ04657	Ball Bearing 6000LLU	1	
16	TQ04652	End Plate B	1	
17	TB04867	Blade Ass'y (5 pcs.)	1set	
18	TQ06477	Rotor	1	
19	TQ04684	Cylinder	1	
20	TQ04655	Backbone	1	
21	TP12004	O-Ring P-10	2	
22	TQ04651	End Plate A	1	
23	TP01913	Ball Bearing 6000ZZ	1	
24	TQ04656	Bent Retaining Ring BG-10	1	
51	TQ04764	Spacer 52x38x0.5	1	
25	TB08658	Housing Ass'y	1set	
26	(TQ12695)	Label Nitto	1	
27	(TQ12699)	Label Model Number	1	
54	(TQ06276)	Label Lubrication	1	
28	TQ04771	Grip Rubber	1	
29	TB03695	Adjust Valve A'ssy	1set	
30	(TQ04670)	Adjust Valve	1	
31	(CP20531)	O-Ring P-9	1	
32	(TP20521)	O-Ring P-8	1	
49	TB03696	Throttele Lever Ass'y	1set	
33	(TQ04663)	Throttle Lever	1	
34	(TQ04661)	Spring Pin 3x36 AW	1	
35	TP15729	Spring Pin 3x14 AW	1	
36	TQ04671	Seal Sheet 9x13.9x2	1	
37	TQ04664	Valve	1	
38	TQ04665	Conical Spring 0.8x6.4x11.6x21.8	1	
39	TQ04666	Bushing M16xRc1/4	1	
41	TB03593	Muffler Ass'y	1set	
53	TQ05088	O-Ring SS-100	1	
42	TQ04667	Cap	1	

• APS-150SV

No.	Part No.	Description	Qty	Price
25	TB08660	Housing Ass'y	1set	
26	(TQ12695)	Label Nitto	1	
27	(TQ12701)	Label Model Number	1	
54	(TQ06276)	Label Lubrication	1	
43	TQ04685	Stopper M16x11(P1.5)	1	
45	TB03594	Ejector Ass'y	1set	
50	TA99239	Hose Ass'y	1set	
46	(TP05662)	Hose Band	1	
47	(TP14835)	Hose	1	
48	TP14836	Dust Bag	1	
52	LQ02848	P-Tite Screw	1	

• APS-150CV

No.	Part No.	Description	Qty	Price
25	TB08659	Housing Ass'y	1set	
26	(TQ12695)	Label Nitto	1	
27	(TQ12700)	Label Model Number	1	
54	(TQ06276)	Label Lubrication	1	
41	TB03593	Muffler Ass'y	1set	
44	TQ04682	Ejector	1	
52	LQ02848	P-Tite Screw	1	
53	TQ05088	O-Ring SS-100	1	

• ACCESSORIES

No.	Part No.	Description	Qty	Price
	TP00474	Spanner 17	1	
	TP02236	Bushing R 1/4xNPT 1/4	1	
	TQ12696	Instruction Manual	1	
	TQ12714	Declaration of Conformity	1	